

## Legacy Universal Unloader (UU1)

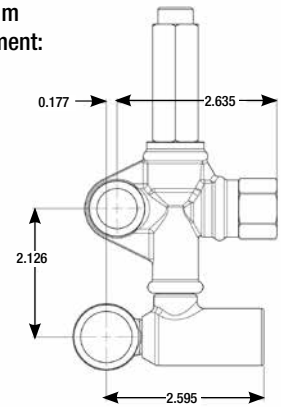


The Legacy Universal Unloader is unique in that it allows for height or width adjustments making it ideal for any pump.

- 6 GPM
- 3500 PSI
- 195°F
- Forged-brass body
- 1/2" NPT inlet
- 3/8" NPT outlet
- Stainless-steel seat and low-friction, wear-resistant plunger
- 16.1 oz weight
- Patent US 8,313,311 B2

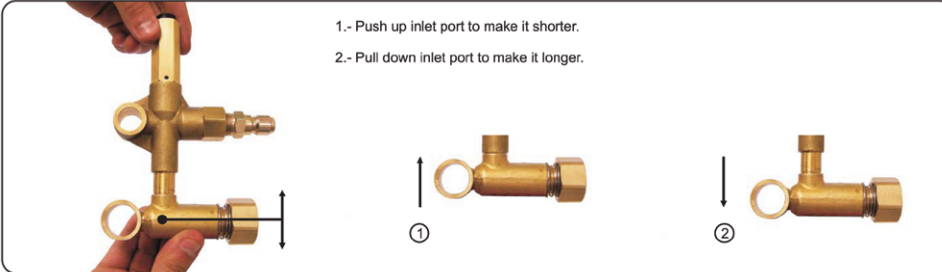
Part #	Description
9.175-018.0	Legacy Universal Unloader (UU1)

Minimum Adjustment:

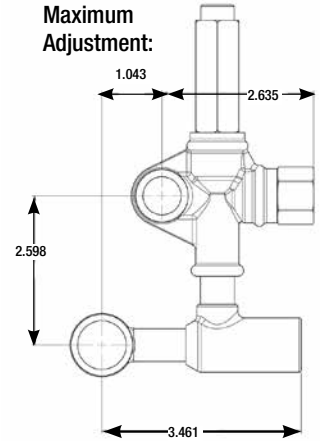


Adjusting inlet port

- 1.- Push up inlet port to make it shorter.
- 2.- Pull down inlet port to make it longer.

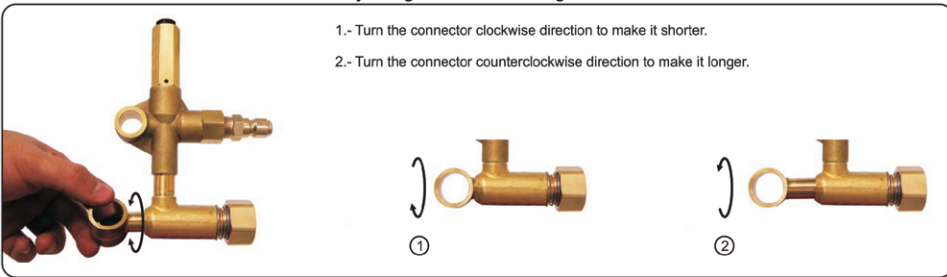


Maximum Adjustment:



Adjusting horizontal sliding connector

- 1.- Turn the connector clockwise direction to make it shorter.
- 2.- Turn the connector counterclockwise direction to make it longer.



## Automatic Pressure Regulator

**Integral Regulator for Admiral Pumps:** WE - WG - WEL - XLS - XLE - XLG bolt on for Admiral and Legacy Pumps. Trapped-pressure regulator specifically designed for use on the Admiral plunger pumps. Integral inlet, bypass and outlet eliminates the need for bypass hose.



8.703-401.0

- 6 GPM
- 3200 PSI
- 195°F
- Forged-brass body
- 3/8" MPT outlet
- Stainless-steel plunger and seat valve
- 29 oz weight

Part #	Old No.	Description	Inlet
<b>8.703-401.0</b>	<b>106020</b>	APR-Brass / Black 3/8"	
<b>9.802-365.0</b>	<b>106022</b>	APR-Brass / Black 1/2"	
<b>8.900-760.0</b>	<b>109139</b>	Seal Repair Kit - 3/8"	
<b>8.900-761.0</b>	<b>109139X</b>	Seal Repair Kit - 1/2"	
<b>8.900-762.0</b>	<b>109140</b>	Valve Seat Repair Kit	

## Regulators / Unloaders



Basic valves, premium performance.



- Forged-brass body
- Stainless-steel seat and piston
- 3/8" MPT inlet, outlet and bypass
- 194°F

### 520 Regulator / Unloader

- Rated @ 2000 PSI
- 13 oz weight
- Tested up to 2400 PSI
- 8 GPM

### VR54 Black Regulator / Unloader

- Rated @ 2175 PSI
- 15 oz weight
- Tested up to 2800 PSI
- 8 GPM

### VR54 Red Regulator / Unloader

- Rated @ 2900 PSI
- 13.7 oz weight
- Tested up to 2800 PSI
- 8 GPM



### VR56 Regulator / Unloader

- Rated @ 3625 PSI
- 15 oz weight
- Tested up to 3400 PSI
- 8 GPM

### Repair Kits

- For use with 520 regulator / unloaders

Part #	Old No.	Description
<b>8.712-589.0</b>	<b>462320K</b>	520 w/ Knob
<b>8.704-003.0</b>	<b>109177</b>	Seal Repair Kit
<b>8.704-004.0</b>	<b>109178</b>	Valve Seat Repair Kit
<b>8.753-028.0</b>		VR54 Black
<b>8.753-029.0</b>		VR54 Red
<b>8.753-017.0</b>		VR56 w/ Knob

## Regulator / Unloader VRS3



- 8 GPM
- 3630 PSI
- 194°F
- 3/8" MPT inlet and outlet, 1/4" FPT bypass
- Adjustable pressure setting nut
- Heavy-duty forged-brass body
- Stainless-steel ball and valve seat
- High-temperature Viton seals
- Adjustable upper-pressure limit lock

Part #	Description
<b>8.753-027.0</b>	w/o Knob
<b>8.753-026.0</b>	w/ Knob

## VBA35 / VB55 Unloader Valves for Legacy HD Pumps



- 6.6 GPM
- 3500 PSI

Part #	Description
<b>VBA35 for Legacy HD models</b>	
<b>9.803-899.0</b>	GG, GD, GE
<b>9.803-900.0</b>	GM, GS



- 8 GPM
- 3650 PSI

Part #	Description
<b>VB55 for Legacy HD models</b>	
<b>9.802-363.0</b>	GM, GS

## VRT3 Unloader Valves



- Forged-brass body
- Stainless internals
- Up to 4500 PSI
- 200°F
- 8 GPM
- 3/8" in-out / bypass

Part #	Description
<b>8.750-297.0</b>	2320 PSI Yellow
<b>8.750-298.0</b>	3630 PSI Blue
<b>8.750-299.0</b>	4500 PSI Black
<b>8.750-300.0</b>	4500 PSI w/ EZ Start Black
<b>8.750-955.0</b>	4500 PSI w/ Switch, w/o Knob
<b>8.750-956.0</b>	4500 PSI w/ Switch, w/ Knob
<b>8.750-709.0</b>	Repair Kit, VRT3, 2320/3630 PSI
<b>8.750-710.0</b>	Repair Kit, VRT3, 4500 PSI
<b>9.802-694.0</b>	Repair Kit Old Style VRT 605,606,607

## VRT100 Unloader Valves



- Forged-brass body
- Stainless internals
- Up to 5075 PSI
- 194°F
- 26.4 GPM
- 1/2" in-out / bypass

Part #	Description
<b>8.753-726.0</b>	5075 PSI Blue
<b>8.753-443.0</b>	2760 PSI Yellow
<b>8.753-444.0</b>	5075 PSI Blue
<b>8.753-727.0</b>	5075 PSI Blue Microswitch 120/240VAC
<b>8.754-012.0</b>	VRT100 Repair Kit

## Pulsar Unloaders



- Pulsar 4 blue rated 3200 PSI - Max 3650 PSI
- Pulsar 4 white rated 1400 PSI - Max 1750 PSI
- Pulsar 280 HP rated 4050 PSI - Max 4350 PSI
- 195°F
- 8 GPM
- All stainless-steel valves
- Pressure actuated
- Forged body
- 3/8" FPT inlet, outlet
- Two 3/8" FPT bypass ports

Part #	Original No.	Description
<b>8.712-653.0</b>	<b>462654</b>	Pulsar 4 (White) w/ Knob
<b>8.704-462.0</b>	<b>111100</b>	Repair Kit - Pulsar 4
<b>9.802-004.0</b>	<b>111375</b>	Repair Kit - 280 HP

## VB7 Regulator / Unloader



Fits CAT 4SF pumps and other pumps; 7.8 GPM – 3600 PSI max pressure.



- Rated pressure: 3200 PSI
- 200°F
- 3/8" MPT inlet, 1/4" FPT gauge port
- 3/8" FPT outlet and bypass
- 19.7 oz weight

Part #	Old No.	Description
<b>8.712-741.0</b>	<b>463670</b>	w/o Knob
<b>8.904-580.0</b>	<b>463670K</b>	w/ Knob
<b>8.704-488.0</b>	<b>111175</b>	Repair Kit
<b>8.712-735.0</b>	<b>463600</b>	Knob Only

## VB130 Regulator / Unloader



Fits CAT 2SF pumps and other pumps; 6.6 GPM – 2600 PSI max pressure.



- Rated pressure: 2300 PSI
- 200°F
- 3/8" MPT inlet and outlet
- 3/8" FPT bypass
- Stainless-steel plunger
- Stainless-steel valve seat
- 14.7 oz weight

Part #	Old No.	Description
<b>8.712-739.0</b>	<b>463660</b>	w/o Knob
<b>8.904-579.0</b>	<b>463660K</b>	w/ Knob
<b>9.802-006.0</b>	<b>111150</b>	Repair Kit
<b>8.712-735.0</b>	<b>463600</b>	Knob Only

## VB85 / 820 Regulator / Unloader



- VB85 rated @ 4050 PSI
- 200°F
- Pressure actuated
- Forged-brass body
- Stainless-steel plunger and seat
- 1/2" FPT in/out bypass
- 45 oz weight

Part #	Description
<b>8.751-964.0</b>	VB85/280 – Blue Spr
<b>8.751-963.0</b>	VB85/280 – Blue Spr

## VB200 / 150 High-Volume Unloader



- 52.5 GPM
- Forged-bronze body
- Large plastic knob (removable)
- Lock nut on pressure adjustment
- 2175 PSI
- 194°F
- 1" FPT Inlet, outlet and bypass
- Two 5/16" – 18 bolt mounting ports
- 73.5 oz weight

Part #	Old No.	Description
<b>8.712-754.0</b>	<b>463714</b>	VB 200/150 w/o Knob
<b>8.712-755.0</b>	<b>463715</b>	VB 200/150 w/ Knob
<b>8.704-583.0</b>	<b>111550</b>	Repair Kit

## VB75 / VB135



The VB75 is an integrated unloader for Interpump and General pumps with 7.8 GPM – 3600 PSI max pressure. The VB135 fits Interpump "WW" Series Pumps and General "TT" Series Pumps with 6.5 GPM – 2600 PSI max pressure.



VB75



VB135

- VB75
- Rated pressure: 3200 PSI
- 200°F
- 1/2" MPT inlet, 1/4" FPT gauge port
- 3/8" FPT outlet and bypass
- 19.7 oz weight

- VB135
- Rated pressure: 2300 PSI
- 200°F
- 3/8" MPT inlet, 1/4" FPT outlet
- Stainless internals
- Forged-brass body
- 22.9 oz weight

Part #	Old No.	Description
<b>VB75</b>		
<b>8.712-742.0</b>	<b>463672/462646</b>	Series 44 (EZ) and 47 pumps (W151)
<b>8.704-488.0</b>	<b>111175</b>	Seal Kit
<b>8.712-735.0</b>	<b>463600</b>	Knob Only
<b>8.705-934.0</b>		1/2" Bolt w/ Hole

Part #	Old No.	Description
<b>VB135</b>		
<b>8.712-659.0</b>	<b>462659</b>	VB 135
<b>8.712-735.0</b>	<b>463600</b>	Knob Only
<b>9.802-006.0</b>	<b>111150</b>	VB 135 Repair Kit
<b>8.705-935.0</b>		3/8" Bolt w/ Hole

## VB80 / 400 Stainless-Steel Unloader



- 21 GPM
- Rated 5800 PSI
- Forged stainless-steel body
- 195°F
- All stainless-steel valve parts
- Viton seals
- 1/2" FPT inlet, outlet and bypass

Part #	Old No.	Description
<b>8.712-656.0</b>	<b>462656</b>	VB 80/400
<b>9.802-007.0</b>	<b>111340</b>	Repair Kit

## Automatic Pressure Compensating Unloader Valves VB10 / VB9



VB10



VB9

- 7.8 GPM – 3600 PSI
- Rated 3200 PSI
- 194°F
- Reduces trapped pressure to 25% of operating pressure when unloading; allows easier gun trigger pull
- Instant pressure response
- Hex-shaped non-stick check valve
- 3/8" in/out bypass
- Brass valve body/stainless ball and seat
- Knob included
- VB9 – Panel mountable

Part #	Old No.	Description
<b>8.712-736.0</b>	<b>463650</b>	VB9 w/ Knob
<b>8.715-462.0</b>		VB9 w/ Knob and Pressure Switch
<b>8.715-489.0</b>		VB9 w/ Check Valve and Pressure Switch
<b>8.712-745.0</b>	<b>463675</b>	VB10 w/ Knob
<b>8.704-548.0</b>	<b>111336</b>	Repair Kit VB9
<b>8.704-561.0</b>	<b>111400</b>	Repair Kit VB10
<b>8.901-056.0</b>	<b>111401</b>	Seal Kit VB10

## VB350 / 4 Unloader

Bigger. Stronger. Faster – 5600 PSI



- 10.5 GPM
- Rated 5100 PSI
- Max 5600 PSI
- 195°F max
- Forged-bronze body
- 31 oz weight
- Stainless-steel plunger and valve seat
- 3/8" FPT outlet and bypass
- 1/2" F bypass
- 3/8" MPT inlet, 1/4" gauge port

Part #	Old No.	Description
<b>9.802-360.0</b>	<b>463680K</b>	Unloader Red Knob
<b>8.704-499.0</b>	<b>111200X</b>	Repair Kit Old VB 350
<b>9.800-106.0</b>	<b>111901</b>	Repair Kit – Red Knob Version

## Control Set "W" Series / Integrated Regulator/Unloader



Designed exclusively to fit Interpump and General pumps.



- Mounts directly on pump inlet and outlet; internal bypass loop
- Pressure actuated: "Instant-On"
- 3/8" MPT outlets
- Integrated injector — optional
- Pressure- and flow-engineered for specific pump models

Part #	Old No.	Model	GPM	Fits PSI	Pump
<b>"W" Series Unloaders</b>					
<b>8.712-638.0</b>	<b>462636</b>	W1	4.00	1600	W905
<b>8.712-640.0</b>	<b>462639</b>	W1-L	4.00	1600	W99
<b>8.712-643.0</b>	<b>462643</b>	W2	5.56	3000	W997
<b>8.712-644.0</b>	<b>462644</b>	W2-L	5.56	3000	W201
<b>8.702-883.0</b>	<b>103093B</b>	W2/W2L Rebuild Kit			
<b>8.702-888.0</b>	<b>103098B</b>	W1/W1L Rebuild Kit			

Part #	Old No.	Model	GPM	Fits PSI	Pump
<b>"W" Series Unloaders with Injectors</b>					
<b>8.712-637.0</b>	<b>462635</b>	W1-0	2.1-2.9	1600	W907
<b>8.712-641.0</b>	<b>462640</b>	W1L-1	3.0-4.0	1600	W99
<b>8.712-642.0</b>	<b>462642</b>	W2-1	2.9-4.0	3000	W997
<b>8.712-645.0</b>	<b>462645</b>	W2L-1	2.9-4.0	3000	W201
<b>8.712-647.0</b>	<b>462647</b>	W2L-2	4.2-5.5	3000	WS202
<b>8.702-884.0</b>	<b>103094B</b>	Injector Maintenance Kit			

## "K" Series Pressure Regulators Kits



Repair Kits for All K3, K5, K7 and K9 models.

Part #	Old No.	Description
<b>8.702-850.0</b>	<b>103061B</b>	K3 Rebuild Kit
<b>8.702-847.0</b>	<b>103058B</b>	K5 Maintenance Kit
<b>8.702-849.0</b>	<b>103060B</b>	K5 Rebuild Kit
<b>8.705-045.0</b>	<b>140070</b>	K5 Back Nut 3/4" NPT
<b>8.702-858.0</b>	<b>103070B</b>	K7 Repair Kit
<b>8.702-911.0</b>	<b>103121B</b>	K9 Repair Kit

## "K" Series Pressure Regulators



Unloaders relieve line pressure in bypass mode.



K3 - 0 - 1500 PSI

- 3/8" FPT Inlet
- 165°F
- 1/2" FPT B

Part #	Old No.	Model	GPM	Outlet
<b>K3</b>				
<b>8.712-603.0</b>	<b>462530A</b>	K3.0	2.10-2.90	3/8" M
<b>8.712-605.0</b>	<b>462531A</b>	K3.1	2.90-4.22	3/8" M
<b>8.712-607.0</b>	<b>462532A</b>	K3.2	4.22-5.55	3/8" M
<b>8.712-609.0</b>	<b>462533A</b>	K3.3	5.00-6.50	3/8" M
<b>8.712-604.0</b>		K3.0	2.10-2.90	1/2" M
<b>8.712-606.0</b>		K3.1	2.90-4.22	1/2" M
<b>8.712-608.0</b>		K3.2	4.22-5.55	1/2" M
<b>8.712-610.0</b>		K3.3	5.00-6.50	1/2" M

K5 - 1000 - 3000 PSI



Part #	Old No.	Model	GPM	Outlet
<b>K5</b>				
<b>8.712-611.0</b>	<b>462551A</b>	K5.1	2.90-4.22	3/8" M
<b>8.712-613.0</b>	<b>462552A</b>	K5.2	4.22-6.60	3/8" M
<b>8.712-615.0</b>	<b>462553A</b>	K5.3	6.60-10.83	3/8" M
<b>8.712-612.0</b>		K5.1	2.90-4.22	1/2" M
<b>8.712-614.0</b>		K5.2	4.22-6.60	1/2" M
<b>8.712-616.0</b>		K5.3	6.60-10.83	1/2" M

NOTE: 1) Use 8.705-045.0 back nut on bypass nipple when mounting 1/2" bypass line on K3s and K5s. 2) Use-restricted (.156 - .225 ID) orifice in bypass line for smoother operation/pressure balancing.

Part #	Description
<b>8.715-478.0</b>	Bypass plate for K3/K5

K7 - 0 - 3000 PSI



- 3/8" FPT
- 165°F

Part #	Old No.	Model	GPM	Outlet
<b>8.712-617.0</b>	<b>462570</b>	K7.0	2.11-2.90	3/8" M
<b>8.712-618.0</b>	<b>462571</b>	K7.1	2.90-4.22	3/8" M
<b>8.712-619.0</b>	<b>462572</b>	K7.2	4.22-6.60	3/8" M
<b>8.712-620.0</b>	<b>462573</b>	K7.3	6.60-10.8	3/8" M

ZK1 - 0 - 3600 PSI



- 2.3-10.8 GPM
- 3/8" inlet BSP-F
- 165°F

Part #	Old No.	Model	Outlet / Bypass
<b>8.712-602.0</b>	<b>462526</b>	2K138	3/8" BSP-M
<b>8.712-601.0</b>	<b>462525</b>	ZK1	1/2" BSP-M

K9 - 0 - 5800 PSI

Part #	Old No.	Model	GPM	Outlet
<b>8.712-621.0</b>	<b>462574</b>	K9	13.2	1/2" M

## HM Regulator/Unloader



- Excess flow is bypassed to maintain selected pressure
- Will operate on single or multiple gun systems
- Brass body — stainless-steel valve and seat
- 3/8" FPT inlet
- 3/8" MPT outlet
- 3/8" FPT bypass
- Flow range – 1.4 to 10.8 GPM
- Pressure adjustable 0-3000 PSI

Part #	Old No.	Description
8.712-622.0	462575	HM Regulator/Unloader
8.702-860.0	103072B	Repair Kit

## Hypro-Style Unloader



- All rated at 5 GPM
- Pressures from 400 to 1500 PSI
- 180°F
- Buna-N seals
- 3/8" MPT inlet and outlet
- 8 oz weight

Part #	Old No.	Pressure	Bypass
8.712-689.0	462739	200-500	1/4" FPT
8.712-690.0	462740	400-1000	1/4" FPT
8.712-691.0	462743	800-1500	1/4" FPT
8.712-692.0	462745*	400-1000	
8.712-693.0	462748*	800-1500	
8.722-643.0	H34300223		Repair Kit for All

\*Bypass port not threaded, closed coupled

## YU – High-Volume Unloader



- 21 GPM
- 1/2" FPT inlet, outlet
- 2-1/2" FPT bypass ports
- 200°F
- Forged-brass body
- Stainless-steel internals

### YU-2121 Yellow Spring

- 2300 PSI
- 2600 PSI rated pressure

### YU-2140 Green Spring

- 4050 PSI
- 4500 PSI rated pressure

Part #	Spring
8.753-326.0	Yellow
8.753-168.0	Green

## ST-230 Regulator / Relief Valve



- 8 GPM
- Complete pressure regulation 0-3600 PSI
- 200°F
- 1/4" FPT inlet and bypass
- Mounts off-line — no line restrictions
- All brass body with stainless-steel piston and seat
- 14 oz weight

Part #	Old No.	Description
8.712-628.0	462590	ST-230
8.701-626.0	087926	Repair Kit

## ST-261 Regulator / Unloader



- 8 GPM
- Stainless-steel plunger and seat
- 0-3600 PSI regulation
- Viton seals
- 180°F temperature rating
- Forged-brass body
- 22.5 oz weight

### ST-261 Standard



Part #	Old No.	Description
8.712-681.0	462690	ST-261 STD
8.900-156.0	088211X	Seal Kit
8.701-627.0	088209	Repair Kit "B"
8.701-650.0	088466	Outlet Check Kit "A"

### ST-261/S Unloader with Bypass Switch



- Switches at full bypass flow
- 10 Amp, 110/230V
- Wired N/C (may be wired N/O)

Part #	Old No.	Model
8.712-685.0	462695	ST-261/S
8.701-647.0	088422	Switch Seal Kit

### ST-261/I Unloader with Chemical Injector



Part #	Old No.	GPM	Model
8.712-682.0	462691	0.0-2.4	ST-261/I-1
8.712-683.0	462692	2.4-3.5	ST-261/I-2
8.712-684.0	462693	3.5-5.5	ST-261/I-3
8.900-159.0	088260X		Injector Repr w/o Barb
8.701-648.0	088424		Injector Repr w/ Barb

### ST-261/SI Unloader with Switch and Injector



- Switches at full bypass flow
- 10 Amp, 110/230V
- Wired N/C (may be wired N/O)

Part #	Old No.	GPM	Model
8.712-686.0	462696	0.0-2.4	ST-261/SI-1
8.904-576.0	462697	2.4-3.5	ST-261/SI-2
8.904-577.0	462698	3.5-5.5	ST-261/SI-3

### ST-261 Bypass Switch only



- Field-mountable
- 10 Amp @ 115/230V
- Switches at full bypass flow
- Wired N/C (may be wired N/O)

Part #	Old No.	Description
8.712-629.0	462626	Switch Assy Complete
8.701-642.0	088272	Micro Switch Only
8.701-647.0	088422	Seal Kit – Micro Switch

## ST-280 Regulator / Unloader



- 8 GPM
- 3600 PSI
- 175°F
- 27.5 oz weight
- Brass housing — stainless-steel valve
- 3/8" FPT inlet/outlet
- 1/4" FPT bypass

Part #	Old No.	Description
<b>8.712-674.0</b>	<b>462680</b>	ST-280
<b>8.701-655.0</b>	<b>088536</b>	Seat Repair Kit "D"
<b>8.701-654.0</b>	<b>088535</b>	Piston Seal Kit "C"
<b>8.701-653.0</b>	<b>088534</b>	Poppet Repair Kit

## AR Bolt-On Unloaders



Mini-Models.



- Fits XT and XM series pumps
- 2600 PSI-rated pressure
- 1-2" F inlet
- 3/8" M outlet

Part #	Old No.	AR Model No.	GPM	Bypass
<b>8.712-582.0</b>		AR20608	3-5.5	AL, No injector
<b>8.712-564.0</b>	<b>462228</b>	AR20821	2-5	AL, No injector
<b>8.712-573.0</b>	<b>462243</b>	AR20890	2-3	AL, Adj injector
<b>8.712-576.0</b>	<b>462246</b>	AR21039	2-3	Brass, Adj injector
<b>8.712-575.0</b>	<b>462245</b>	AR21040	3-4	Brass, Adj injector
<b>8.720-676.0</b>	<b>AR002812</b>	Seal Kit		

NOTE: AR has discontinued the Combiset unloaders. Use Mini-Mate unloaders as replacements. For 22mm twist coupler outlet models, add part #8.709-546.0 (3/8" x 22mm) to injector outlet.

## Gymatic Unloaders



- RK and XM series pumps
- 3650 PSI-rated pressure
- 3-5.5 GPM
- 3/8" M outlet

Part #	Old No.	AR Model No.	Inlet
<b>8.712-565.0</b>	<b>462229</b>	AR20242	1/2" F w/ no injector
<b>8.712-563.0</b>	<b>462226</b>	AR20242G	3/4" (GHF) w/ no injector
<b>8.712-574.0</b>	<b>462244</b>	AR20081	1/2" M fixed injector #1 (2-3 gal)
<b>8.712-567.0</b>	<b>462233</b>	AR20082	1/2" M fixed injector #2
<b>8.712-568.0</b>	<b>462235</b>	AR20399	1/2" M adj injector #1 (2-3 gal)
<b>8.712-569.0</b>	<b>462236</b>	AR20400	1/2" M adj injector #2
<b>8.720-642.0</b>	<b>AR002611</b>	Repair Kit	



- Max PSI: 4000
- Max GPM: 5
- Inlet: 1/2" M
- Outlet: 3/8" M NPT
- Bypass: brass
- Without injector

Part #	Old No.	AR Model No.
<b>8.712-583.0</b>	<b>462255</b>	AR21669

- Max PSI: 4000
- Max GPM: 5
- Inlet: 1/2" F
- Outlet: 3/8" M
- Bypass: brass

Part #	Old No.	AR Model No.
<b>8.720-903.0</b>	<b>AR20992</b>	AR20992G

## 13 GPM Pressure-Actuated Unloaders



- 13 GPM
- 800-3000 PSI
- 160°F
- Bellville spring washers minimize spikes
- Forged-brass bodies/ stainless ball and seat
- Four 1/4" side ports enhance versatility
- 1/2" FPT inlet, outlet and bypass ports
- 57.3 oz weight

Part #	Old No.	Model No.	PSI	Spring
<b>8.712-709.0</b>	<b>462934</b>	22910	800	Silver
<b>8.712-710.0</b>	<b>462935</b>	22911	1400	Yellow
<b>8.712-711.0</b>	<b>462937</b>	22912	2400	Red
<b>8.712-708.0</b>	<b>462933</b>	22913	3000	Orange
<b>8.722-137.0</b>	<b>G012099</b>	Repair Kit		

## Pressure-Actuated Unloaders



8.712-705.0



8.712-706.0

- Unloads pressure in entire system when in bypass
- Forged-bronze body
- Stainless-steel seat
- 3/8" FPT inlet/ 3/8" FPT outlet
- 1/4" FPT bypass
- 160°F

Part #	Old No.	Model No.	GPM	PSI
<b>8.712-705.0</b>	<b>462927</b>	22760APM	8	3000
<b>8.712-706.0</b>	<b>462928</b>	22765APM	5	4000

## Flow-Actuated Unloaders



- Unloads pressure in entire system when in bypass
- Forged-bronze body
- Stainless-steel seat
- 3/8" FPT inlet/ 3/8" MPT outlet
- 1/2" bypass
- 160°F

Part #	Old No.	Model No.	GPM	PSI
<b>8.712-698.0</b>	<b>462909</b>	22650	3.0-4.5	0-3000
<b>8.712-701.0</b>	<b>462913</b>	22654	3.5-4.8	3000-4000
<b>8.712-702.0</b>	<b>462914</b>	22655	4.5-5.5	0-3000
<b>8.712-703.0</b>	<b>462915</b>	22656	4.5-6.5	0-3000
<b>8.722-204.0</b>	<b>G022666</b>	Seal Kit		

## MG4000 Series Unloaders

"The world's best unloader valve" with a choice of PSI:  
1500, 3000 or 4500.



- Forged-brass body
- 3/8" FPT inlet, outlet and bypass
- Auxiliary 1/4" outlet
- 10 GPM
- 200°F
- Up to 4500 PSI
- Can be panel mounted
- Pressure limit indicated with color coded ring

Part #	Old No.	PSI	Color
<b>Without Knob</b>			
<b>8.712-715.0</b>	<b>463108</b>	1500	Yellow
<b>8.712-718.0</b>	<b>463110</b>	3000	Red
<b>8.712-724.0</b>	<b>463114</b>	4500	Black
<b>With Knob</b>			
<b>8.712-716.0</b>	<b>463108K</b>	1500	Yellow
<b>8.712-719.0</b>	<b>463110K</b>	3000	Red
<b>8.712-725.0</b>	<b>463114K</b>	4500	Black
<b>8.704-567.0</b>	<b>111442</b>	Repair Kit	

### MG4000 with Microswitch



- Can be used as Normally Open (NO) or Normally Closed (NC)
- Use for time-delay shutdown or as burner control
- Up to 4500 PSI
- Panel mountable
- 15 Amp microswitch

Part #	Old No.	PSI	Color
<b>8.712-717.0</b>	<b>463109K</b>	1500	Yellow
<b>8.712-720.0</b>	<b>463111K</b>	3000	Red
<b>8.712-714.0</b>	<b>463105K</b>	3600	Blue
<b>8.712-727.0</b>	<b>463115K</b>	4500	Black

## Safety Pressure Relief Valves

Engineered and built by Interpump. Premium-quality valves for all pressure systems.



- Adjustable pop-off protection
- Machined-brass bodies
- Stainless-steel plunger and seat
- 165°F
- 3/8" MPT connect x 1/4" MPT
- Bypass and outlet
- **S - R:** Safety valve - 3000 PSI @ 1.3 to 10.8 GPM
- **S - 3:** Safety valve - 500 to 10,000 PSI @ 2.6 to 26.5 GPM

Part #	Old No.	Description
<b>8.711-215.0</b>	<b>390103</b>	S - R Valve
<b>8.711-227.0</b>	<b>390123</b>	S - 3 Valve

## Timax Pressure Regulator Valve



- Max flow 52 GPM
- Max pressure 1000 PSI
- Lever control manual dump for bypass to relieve line pressure
- 3/4" and 1" FPT inlet and outlet
- 3/4" FPT bypass
- Brass body - stainless-steel piston and seat

Part #	Old No.	Description
<b>8.712-624.0</b>	<b>462580</b>	Timax Reg Valve
<b>8.702-844.0</b>	<b>103051B</b>	Repair Kit

## VS 200 / 180 High-Volume Regulator



- 53.5 GPM
- 2600 PSI
- 194°F
- 3/4" FPT inlet x 1/2" FPT bypass
- 29.4 oz weight

Part #	Old No.	Description
<b>8.712-753.0</b>	<b>463705</b>	VS 200/180
<b>8.704-582.0</b>	<b>111520</b>	Repair Kit

## VS 350 Regulator / Relief Valve



- Rated pressure: 5100 PSI
- 5600 PSI
- 6.5 GPM
- 195°F
- 3/8" FPT inlet, outlet and bypass
- 16.8 oz weight

Part #	Old No.	Description
<b>8.712-756.0</b>	<b>463720</b>	VS 350
<b>8.704-611.0</b>	<b>111832</b>	Repair Kit

## VS 500 High-Pressure Regulator / Relief Valve



- Forged-bronze body
- 21 GPM
- 7250 PSI-rated pressure
- 8100 PSI maximum pressure
- 195°F
- 1/2" FPT inlet and 3/8" FPT bypass
- 14.2 oz weight

Part #	Old No.	Description
<b>8.712-757.0</b>	<b>463725</b>	VS 500

## VS 220 Regulator / Relief Valve



6.3 GPM - 3600 PSI max pressure



- Rated 3200 PSI
- 200°F
- Forged-bronze body
- Stainless-steel plunger and seat valve
- Two 3/8" FPT inlets
- 3/8" FPT outlet/bypass
- Compact design
- 14.2 oz weight

Part #	Old No.	Description
<b>8.712-737.0</b>	<b>463655</b>	VS 220 w/o Knob
<b>8.901-057.0</b>	<b>111576</b>	Repair Kit

## Regulating Relief Valve

Economical replacement for paraplate BR5 Series.



- 7 GPM
- Pressure adjusts 200-2000 PSI
- 200°F
- 3/8" FPT inlet, outlet and bypass
- Flow-thru design for smooth operation
- Machined-brass body and knob
- Stainless-steel plunger and seal

Part #	Old No.	Description
<b>8.712-625.0</b>	<b>462585</b>	Relief Valve
<b>8.900-042.0</b>	<b>075127</b>	Repair Kit

## Unloader Mounting Block

End vibration-caused fitting failure.



- 12 GPM
- Mounting hardware included
- Machine block brass or steel

Part #	Old No.	Description	Material	PSI
<b>8.904-568.0</b>	<b>462183X</b>	3/8" x 3/8"	Brass	5500
<b>8.904-567.0</b>	<b>462182X</b>	1/2" x 1/2"	Brass	5500
<b>9.802-870.0</b>		3/8" x 3/8"	Steel	
<b>9.802-871.0</b>		1/2" x 1/2"	Steel	

## Amerimax Injector

The higher rate injector. Our best seller!



- Brass housing
- Stainless-steel orifice
- Fully adjustable metering valve
- Stainless-steel spring
- 3500 PSI
- 3/8" MPT inlet/outlet
- 1/4" hose barb

Part #	Old No.	Description
<b>Standard</b>		
<b>8.904-192.0</b>	<b>360130</b>	"0", 1-2 GPM
<b>8.904-193.0</b>	<b>360131</b>	"1", 2-3 GPM
<b>9.803-998.0</b>	<b>360132</b>	"2", 3-5 GPM
<b>8.904-194.0</b>	<b>360133</b>	"3", 5-8 GPM
<b>8.900-040.0</b>	<b>075122X</b>	Repair Kit (Stainless-Steel Check Ball)

### "Acid" Injector w/ Special Inlet Check Valve

<b>8.904-201.0</b>	<b>360140X</b>	"0A", 1-2 GPM
<b>8.904-202.0</b>	<b>360141X</b>	"1A", 2-3 GPM
<b>8.904-203.0</b>	<b>360142X</b>	"2A", 3-5 GPM
<b>8.904-204.0</b>	<b>360143X</b>	"3A", 5-8 GPM
<b>8.900-041.0</b>	<b>075123X</b>	Acid Repair Kit*

\*Ceramic check ball

## Quick-Coupled Amerimax



Assembled for added convenience — quick couples to unloader outlet and quick couples hose to injector outlet.



- Top-quality quick couplers: 3/8" plug inlet, 3/8" socket outlet
- 6' industrial-grade poly-braid reinforced tubing (will not collapse, resists crimping, high-chemical tolerance)
- Heavy-duty brass chemical filter with check valve prevents loss of prime

Part #	Old No.	Description
<b>Amerimax "QC"</b>		
<b>8.904-195.0</b>	<b>360135X</b>	Quick-Coupled "0", 1-2 GPM
<b>8.904-196.0</b>	<b>360136X</b>	Quick-Coupled "1", 2-3 GPM
<b>8.904-197.0</b>	<b>360137X</b>	Quick-Coupled "2", 3-5 GPM
<b>8.904-199.0</b>	<b>360138X</b>	Quick-Coupled "3", 5-8 GPM
<b>8.900-040.0</b>	<b>075122X</b>	Repair Kit (Stainless-Steel Check Ball)

### Amerimax Acid "QC"

<b>8.904-205.0</b>	<b>360145X</b>	Quick-Coupled "0A", 1-2 GPM
<b>8.904-206.0</b>	<b>360146X</b>	Quick-Coupled "1A", 2-3 GPM
<b>8.904-207.0</b>	<b>360147X</b>	Quick-Coupled "2A", 3-5 GPM
<b>8.904-208.0</b>	<b>360148X</b>	Quick-Coupled "3A", 5-8 GPM
<b>8.900-041.0</b>	<b>075123X</b>	Acid Repair Kit*

\*Ceramic check ball



## ST-60 Chemical Injector



Requires ST-61(below) to regulate chemical injection rate.



- Forged-brass body
- Compact size
- Forged-brass body
- Inlet 3/8" MPT
- Outlet 3/8" FPT

Part #	Old No.	Description
8.710-476.0	360120	1.50-2.25, ST-60/0
8.710-477.0	360121	2.25-3.35, ST-60/1
8.710-478.0	360122	3.35-5.00, ST-60/2
8.701-648.0	088424	Repair Kit "F"

## ST-61 Chemical Metering Valve



- Snap-on attachment to ST-60, ST-62, ST-261/1 usage limited to these injectors
- Adjusts from off to full flow
- Glass-filled polyamide body and valve parts
- 1/4" hose barb
- Teflon® seals

Part #	Old No.	Description
8.710-777.0	371161	ST-61

## ST-62 Variable Chemical Injector



Flow orifice adjusts for machines from 2-8 GPM. Requires ST-61 to regulate chemical injection rate.



- Forged-brass body
- 3500 PSI
- 8 GPM

Part #	Old No.	Description
8.710-485.0	360162	ST-62
8.701-648.0	088424	Repair Kit "F"

## ST-64 Up Stream Injector



Apply soap at high pressure. Restricts waterflow to create suction.



- 140 PSI
- 160°F
- 3/4" FGH inlet
- 3/4" MGH outlet
- Chemical strainer and 4' PVC tubing included
- Adjustable with ST-61 meter valve
- Locking waterflow adjustment

Part #	Old No.	GPM
8.710-482.0	360155	1.5-4.0
8.710-483.0	360156	4.0-7.0

## Robokim Chemical Injectors



- Forged-brass body
- Stainless-steel orifice
- Stainless-steel inlet check valve components
- 3500 PSI
- 180°F
- 3/8" MPT inlet/outlet
- 1/4" hose barb

Part #	Old No.	Description
<b>Robokim w/ Plastic Meter Knob</b>		
8.710-497.0	360200	"0", 2.1-2.9 GPM
8.710-498.0	360201	"1", 3.0-4.0 GPM
8.710-499.0	360202	"2", 4.0-5.5 GPM
8.710-500.0	360203	"3", 5.5-10.8 GPM
<b>Robokim w/ Brass Meter Knob</b>		
8.904-213.0	360220	"0", 2.1-2.9 GPM
8.904-214.0	360221	"1", 3.0-4.0 GPM
8.904-215.0	360222	"2", 4.0-5.5 GPM
8.904-216.0	360223	"3", 5.5-10.8 GPM
8.900-481.0	103053X	Repair Kit
8.900-061.0	077010X	Acid Kit

## Robokim Quick-Coupled Chemical Injectors



- Quick-couplers: 3/8" QC plug inlet, 3/8" QC socket outlet
- 6' industrial-grade poly-braid reinforced tubing
- AP brass chemical filter w/ stainless-steel check valve

Part #	Old No.	Description
<b>Robokim "QC" w/ Plastic Knob</b>		
8.904-209.0	360210X	"0", 2.1-2.9 GPM
8.904-210.0	360211X	"1", 3.0-4.0 GPM
8.904-211.0	360212X	"2", 4.0-5.5 GPM
8.904-212.0	360213X	"3", 5.5-10.8 GPM
<b>Robokim "QC" w/ Brass Knob</b>		
8.904-217.0	360230X	"0", 2.1-2.9 GPM
8.904-218.0	360231X	"1", 3.0-4.0 GPM
8.904-219.0	360232X	"2", 4.0-5.5 GPM
8.904-220.0	360233X	"3", 5.5-10.8 GPM

## Hi-Lo Injector



May be used on high or low side of pump. Adjustable flow orifices plus adjustable chemical valves. Standard features similar to ST-62.



- **Performance Range**  
Low side: .5-3.5 GPM @ 10-120 PSI  
High side: 2.0-8.0 GPM @ 3500 PSI
- Machined-brass body
- 3/8" FPT inlet/outlet

Part #	Old No.	Description
8.710-486.0	360163	Hi/Lo Injector w/ Meter Valve
8.710-487.0	360165	w/o Chemical Adjust
8.700-290.0	075136	Repair Kit
8.900-044.0	075136X	Seal Kit



## 400 Series Chemical Injectors

The injector of choice.



### Orifice Selection

Orifice Dia.	Flow Rate
1.6mm	1.5-2.7 GPM
1.8mm	2.0-3.6 GPM
2.1mm	2.7-4.9 GPM
2.3mm	3.3-6.0 GPM

**Adjustable Injectors**, precise needle-metering valve.

Orifice Size(mm)	M x M Part No	M x M Old No	M x F Part No	M x F Old No	F x M Part No	F x M Old No
<b>Brass</b>						
1.6	<b>8.710-541.0</b>	360406	<b>8.710-549.0</b>	360416	<b>8.710-559.0</b>	360426
1.8	<b>8.710-535.0</b>	360400	<b>8.710-543.0</b>	360410	<b>8.710-551.0</b>	360420
2.1	<b>8.710-537.0</b>	360401	<b>8.710-545.0</b>	360411	<b>8.710-554.0</b>	360421
2.3	<b>8.710-539.0</b>	360402	<b>8.710-547.0</b>	360412	<b>8.710-557.0</b>	360422

### Stainless-steel

1.6	<b>8.710-542.0</b>	360406S	<b>8.710-550.0</b>	360416S	<b>8.710-560.0</b>	360426S
1.8	<b>8.710-536.0</b>	360400S	<b>8.710-544.0</b>	360410S	<b>8.710-552.0</b>	360420S
2.1	<b>8.710-538.0</b>	360401S	<b>8.710-546.0</b>	360411S	<b>8.710-556.0</b>	360421S
2.3	<b>8.710-540.0</b>	360402S	<b>8.710-548.0</b>	360412S	<b>8.710-558.0</b>	360422S

Part #	Old No.	Description
Repair Kits include Check Ball, Spring, Seat and O-ring		
<b>8.900-769.0</b>	<b>109220X</b>	Standard Kit

- Teflon® valve seat
- 3/8" inlet and outlet (3 configurations)
- Forged-brass housing
- 3200 PSI
- Renewable orifices and check valve
- 200°F
- Options include: quick-coupled, stainless-steel orifices/ acid-resistant check
- Only 5 oz weight

Orifice Size(mm)	M x M Part No	M x M Old No	M x F Part No	M x F Old No	F x M Part No	F x M Old No
<b>Brass/Acid-Resistant</b>						
1.6	<b>8.904-230.0</b>	360406A	<b>8.904-238.0</b>	360416A	-	-
1.8	<b>8.904-224.0</b>	360400A	<b>8.904-232.0</b>	360410A	<b>8.904-240.0</b>	360420A
2.1	<b>8.904-226.0</b>	360401A	<b>8.904-234.0</b>	360411A	<b>8.904-242.0</b>	360421A
2.3	<b>8.904-228.0</b>	360402A	<b>8.904-236.0</b>	360412A	<b>8.904-244.0</b>	360422A

### Stainless-steel/Acid-Resistant

1.6	<b>8.904-231.0</b>	360406AS	<b>8.904-239.0</b>	360416AS	<b>8.904-246.0</b>	360426AS
1.8	<b>8.904-225.0</b>	360400AS	<b>8.904-233.0</b>	360410AS	<b>8.904-241.0</b>	360420AS
2.1	<b>8.904-227.0</b>	360401AS	<b>8.904-235.0</b>	360411AS	<b>8.904-243.0</b>	360421AS
2.3	<b>8.904-229.0</b>	360402AS	<b>8.904-237.0</b>	360412AS	<b>8.904-245.0</b>	360422AS

Part #	Old No.	Description
Repair Kits include Check Ball, Spring, Seat and O-ring		
<b>8.900-770.0</b>	<b>109222X</b>	Acid Kit

## Series 505 Stainless-Steel

All metal parts are stainless-steel.



- Premier type injector
- 8 GPM
- 5650 PSI
- 3/8" inlet/outlet
- 195°F
- Teflon O-rings

Part #	Old No.	Description	GPM
<b>8.710-586.0</b>	<b>360505/1.8</b>	Stainless-Steel Injector 1.8	2.0-3.6
<b>8.710-587.0</b>	<b>360505/2.1</b>	Stainless-Steel Injector 2.1	2.7-4.9
<b>8.710-588.0</b>	<b>360505/2.3</b>	Stainless-Steel Injector 2.3	3.3-6.0
<b>8.704-027.0</b>	<b>109234</b>	Repair Kit	

## Adjustable Quick-Connect Injector



- 3500 PSI
- 200°F

Part #	Original No.	GPM
<b>8.710-502.0</b>	<b>360240</b>	2-3
<b>8.710-503.0</b>	<b>360242</b>	3-5
<b>8.710-504.0</b>	<b>360244</b>	5-8

### Acid Injectors

<b>8.904-221.0</b>	<b>360240A</b>	2-3
<b>8.904-222.0</b>	<b>360242A</b>	3-5
<b>8.904-223.0</b>	<b>360244A</b>	5-8
<b>8.701-187.0</b>	<b>080055</b>	Injector Repair Kit
<b>8.900-087.0</b>	<b>080056</b>	Injector Acid Kit

## Brass Injectors

All metal parts are brass.



- Premier type injector
- 3200 PSI
- 3/8" inlet/outlet
- 190°F

Part #	Old No.	Description	GPM
<b>8.710-505.0</b>	<b>360245</b>	Brass Injector 1.8	2.0-3.6
<b>8.710-506.0</b>	<b>360246</b>	Brass Injector 2.1	2.7-4.9
<b>8.710-507.0</b>	<b>360247</b>	Brass Injector 2.3	3.3-6.0
<b>8.704-028.0</b>	<b>109235</b>	Repair Kit	

## Exact-A-Flow Pressure Reducer/Injector

"Low side" chemical injector that regulates inlet pressure to maintain consistent chemical ratio.



- Up to 6 GPM
- 1/2" FPT I/O ports
- 1/4" hose barb chemical inlet
- ± 2% injection ratio variation

Part #	Old No.	Description
<b>8.711-162.0</b>	<b>385127</b>	Weep Seat*
<b>8.711-160.0</b>	<b>385125</b>	Non-Weep
<b>8.711-161.0</b>	<b>385126</b>	With Switch**
<b>8.904-389.0</b>	<b>385128</b>	Hose Barb w/ Viton Check
<b>8.904-390.0</b>	<b>385129</b>	Hose Barb w/ Buna Check

\*Weep Seat allows pump to self-prime

\*\*With burner control switch automatically turns burner off when water flow stops

## Adjustable Bronze Float Valves



- Cast-bronze body
- Live rubber stopper
- Adjustable float arm
- 180°F

Part #	Old No.	Thread	Stem	GPM @ 40 PSI
8.710-041.0	343300	3/8"	1/4" - 20	10
8.710-043.0	343302	1/2"	1/4" - 20	17
8.710-044.0	343304	3/4"	1/4" - 20	31
8.710-045.0	343306	1"	1/4" - 20	47

NOTE: Float valves above require stem and float, below

### Repair Parts for Adjustable Valves

8.700-475.0	076406	Long Arm*
8.700-476.0	076407	Short Arm*
8.700-477.0	076408	Thumb Screw*
8.700-479.0	076418	3/8" and 1/2" Plunger
8.700-480.0	076420	3/4" Plunger
8.700-481.0	076422	1" Plunger

\*Fits 3/8", 1/2" and 3/4" valve only

## Stems Only



9.802-157.0

8.710-047.0

Part #	Old No.	Length	Material	Thread
9.802-157.0	343310	8"	Brass	1/4" - 20
8.710-047.0	343310C	8"	Brass	1/4" - 20 x 5/16" - 18
8.710-048.0	343311	8"	Brass	5/16" - 18
8.710-051.0	343315	10"	Brass	1/4" - 20
8.710-049.0	343313B	18"	Brass	3/8" - 16
8.740-042.0	343316	19"	Brass	1/2" - 20

Parts for other float valves also available

## Copper and Plastic Float Balls



8.710-053.0

8.710-054.0

9.802-061.0

Part #	Old No.	Length	Material	Thread
8.710-061.0	343326	4" x 5"	Copper	1/4" - 20
8.710-052.0	343317	5"	Copper	1/4" - 20
8.710-053.0	343318	6"	Copper	1/4" - 20

### Plastic

8.710-057.0	343321	6"	Plastic	1/4" - 20
8.710-059.0	343323	8"	Plastic	1/4" - 20
9.802-061.0	343325	4" x 5"	Plastic	1/4" - 20

Parts for other float valves also available

## PA Float Valve



- 140°F
- 3/8" BSP inlet
- Brass body
- Positional/adjustable arm
- 5 GPM @ 15 PSI
- 7 GPM @ 30 PSI

Part #	Old No.	Description
8.710-042.0	343301	3/8" Float Valve
8.704-204.0	110250	Repair Kit

## Brass Float Valve Assembly



Complete assembly includes valve, stem and float.



- 1/2" FPT inlet
- Brass housing with polyamide cover
- 4.5 GPM
- 175°F

Part #	Old No.	Description
8.710-031.0	343010	ST-8
8.701-558.0	085331	Repair Kit

### MPT Adapter Kit for ST-8\*

8.710-033.0	343012
-------------	--------

\*Double MPT nipple, sealing washer and lock nut

## Brass Float, Ball and Stem



- 142 PSI max inlet pressure
- 140°F
- 7.1 GPM @ 28 PSI - 1/2" MPT inlet
- Positive soft Buna/brass shut-off
- Adjustable float ball settings
- Inlet nut and washer seal provided

Part #	Old No.	Description
8.710-037.0	343050	Valve Complete
8.704-092.0	109502	Repair Kit

## Diaphragm Float Valve



- Requires only 6.5" x 3" inside tank
- All-plastic snap-on float
- Positive shutoff diaphragm style
- Inlet screen, tank gasket and nut included
- Rebuildable — repair parts available
- 3/4" MPT inlet
- 142 PSI
- 7.86 GPM @ 28 PSI
- 6.68 GPM @ 14 PSI
- 140°F

Part #	Old No.	Description
8.710-030.0	343007	Float Valve Complete

## Vertical Float Tank Valve



- 9 GPM @ 150 PSI - 1/2" MPT inlet
- 140°F
- Inlet nut and washer seal provided

Part #	Description
9.802-185.0	Vertical Float Tank Valve

## Hudson Float Valve



- No external moving parts
- No float ball or arm
- Operates between 0-130 PSI
- All plastic, nylon, rubber and stainless-steel
- 90°F
- 1" inlet — easy installation
- Automatic anti-siphon
- Flow capacity 80% of supply (40 GPM @ 40 PSI)

Part #	Old No.	Description
8.710-035.0	343022	1" Hudson Float Valve, 90°
8.710-036.0	343026	1" Hudson Float Valve, 150°

## Kerick Float Valve



- Flow rates for 1/2" valve:
- 30 PSI: 7.7 GPM
  - 40 PSI: 9.1 GPM
  - 50 PSI: 10.5 GPM
  - 60 PSI: 11.4 GPM
  - 80 PSI: 12.5 GPM
- Flow rates for 3/4" valve:
- 30 PSI: 13 GPM
  - 60 PSI: 16.5 GPM

Part #	Description
8.749-328.0	1/2" Float Valve, .25" orifice
8.749-329.0	3/4" Float Valve, .30" orifice

## Check Valves – Swing Action

Retain prime on pumps with low-lift capability.



- Brass body with swing (flapper) action
- 150 PSI
- FPT inlet/outlet
- Gravity seal — no spring pressure

Part #	Old No.	Description
8.709-378.0	310862	1/2"
8.709-379.0	310863	3/4"
8.709-380.0	310864	1"
8.709-381.0	310865	1-1/4"
8.709-382.0	310866	1-1/2"
8.709-383.0	310868	2"

## Stainless-Steel Check Valves



- Rated pressure: 5800 PSI
- 6500 PSI
- 195°F
- Female x female
- 2.0 oz weight

Part #	Old No.	Description	Flow Rate
8.709-361.0	310827	1/4" F x F	6.1
8.709-362.0	310828	3/8" F x F	10.5

## High-Pressure Check Valves

2500 or 3000 PSI ball check.



- Buna seals
- Stainless-steel check ball
- Machined-brass body
- 1 PSI cracking pressure

Part #	Old No.	Description
8.709-356.0		
8.709-357.0		
8.709-358.0		

### 2500 PSI Miniature Ball Check

8.709-356.0	310814	1/4", M x F
8.709-357.0	310815	1/4", M x M

## Check Valves – 1200 PSI

Allows excellent low-restriction flow in inlet direction and instant positive-check action in reverse direction.



- Machined-brass body
- Poppet seal
- Cracking pressure 1 PSI

Part #	Old No.	Description
8.709-351.0	310804	1/4", F x F
8.709-352.0	310806	3/8", F x F
8.709-353.0	310808	1/2", F x F
8.709-354.0	310811	3/4", M x M

## Brass Check Valves – Spring-Loaded

Holds pump prime without overloading pump suction.



- Machine-cast brass bodies, FPT x FPT
- 150 PSI
- 250°F
- Mount horizontal or vertical

Part #	Old No.	Description
8.709-384.0	310872	1/2"
8.709-385.0	310873	3/4"
8.709-386.0	310874	1"

## Backflow Preventor – Check Valve

Protects water supply from harmful chemical backflow — will not allow "spike" pressure to push chemicals into supply line. **Now required by many city and state regulations.**



- 3/4" female garden hose inlet (with lock screw)
- 3/4" male garden hose outlet
- Machined-brass housing
- Plastic diaphragm check

Part #	Old No.	Description
8.705-039.0	140060	Backflow Preventor

## PVC Check Valve

Holds pump prime without overloading pump suction.



- Designed for harsh chemical applications
- PVC plastic body
- Stainless-steel ball check
- Cracking press 1 PSI
- Choice of connects
- 125 PSI
- 180°F

Part #	Old No.	Description
8.709-366.0	310834	1/4" MPT x 1/4" Barb
8.709-367.0	310835	1/4" Barb x 1/4" MPT
8.709-369.0	310837	1/4" Barb x 1/4" Barb
8.709-370.0	310838	3/8" Barb x 3/8" Barb
8.709-373.0	310844*	1/2" Barb x 1/2" Barb

\*8.709-373.0 has Viton seals

## Stainless-Steel Ball Valves – 2000 PSI



- Full-flow ports
- Investment cast process
- Two-piece 316 stainless bodies
- Glass-filled Teflon® seals
- 180°F @ 2000 PSI
- 300°F @ 1000 PSI
- 350°F @ 300 PSI

Part #	Old No.	Description
8.709-265.0	306534	1/4" F x F
8.709-266.0	306536	3/8" F x F
8.709-268.0	306538	1/2" F x F
8.709-269.0	306540	3/4" F x F

## Forged-Brass Ball Valves



- 600 PSI
- 180°F
- Forged-brass body
- Full-flow ports
- Teflon PTFE seals

M x F Part #	F x F Part #	M x M Part #	Size
8.709-249.0	8.709-250.0	8.709-251.0	1/4"
8.709-252.0	8.709-253.0	8.709-254.0	3/8"
8.709-255.0	8.709-256.0	8.709-257.0	1/2"
8.709-258.0	8.709-259.0	8.709-260.0	3/4"
8.709-261.0	8.709-262.0	8.709-263.0	1"

## Nickel-Plated Brass Ball Valves



- Threaded FPT connects
- Chrome-plated ball
- Seats and seals have glass-filled Teflon®
- Full-flow bore

Part #	Old No.	Description	Working Pressure (PSI)
8.709-242.0	306504	1/4"	710
8.709-243.0	306506	3/8"	710
8.709-244.0	306508	1/2"	710
8.709-245.0	306512	3/4"	570
8.709-246.0	306516	1"	570
8.709-247.0	306520	1-1/4"	430
8.709-248.0	306524	1-1/2"	430
8.709-264.0	306532	2"	360

## Mini Ball Valves



- Forged-brass body
- 600 PSI
- 180° handle movement

M x F Part #	F x F Part #	M x M Part #	Size
8.709-208.0	8.709-209.0	-	1/8"
8.709-211.0	8.709-212.0	8.709-213.0	1/4"
8.709-216.0	8.709-217.0	8.709-218.0	3/8"

## High-Pressure Ball Valves



- Rugged carbon steel construction
- 2-way
- NPT (F x F) threads
- Blow-out proof stems
- Delrin ball seats
- Viton O-rings

Part #	Old No.	FPT	PSI
8.709-274.0	306552	1/4" x 1/4"	7350
8.709-276.0	306553	3/8" x 3/8"	7350
8.709-279.0	306554	1/2" x 1/2"	7350
8.709-282.0	306556	3/4" x 3/4"	5880
8.700-270.0	075080	Replacement handle – fits all sizes above	
8.700-271.0	075089	Replacement screw for handle	

## Stainless-Steel, High-Pressure Ball Valves – 5800 PSI



- 316 stainless-steel body, ball and stem
- Viton O-rings
- Delrin ball seats
- Full port

Part #	Old No.	FPT	PSI
8.709-277.0	306553S	3/8" x 3/8"	5880
8.709-280.0	306554S	1/2" x 1/2"	5880
8.709-283.0	306556S	3/4" x 3/4"	5880
8.709-286.0	306558S	1" x 1"	5880

## Stainless-Steel, One-Piece Ball Valves – 800 PSI

- Standard port
- 316 stainless-steel body
- 300°F @ 800 PSI
- 350°F @ 400 PSI
- Suitable for steam



Part #	Old No.	FPT
8.709-287.0	306582	1/4" x 1/4"
8.709-288.0	306583	3/8" x 3/8"
8.709-289.0	306584	1/2" x 1/2"
8.709-290.0	306585	3/4" x 3/4"

## Brass Mini Ball Valves



- Compact knob operation
- Brass housing-hex bar
- 220 PSI working pressure
- Designed to fit tight quarters
- Teflon® seals
- Only 1-3/4" long

Part #	Old No.	FPT
8.709-270.0	306542	1/8" x 1/8"
8.709-271.0	306544	1/4" x 1/4"
8.709-272.0	306546	3/8" x 3/8"
8.709-273.0	306548	1/2" x 1/2"

## PVC Ball Valves

Great for chemical on/off flow control.



- PVC and nitrile material
- Chemical and impact resistant
- Flag handle
- 180°F
- 125 PSI

Part #	Old No.	Description
8.709-214.0	306352P	1/4" Panel Mtg, Barb x Barb
8.709-219.0	306354P	1/4" In-line, Barb x Barb
8.709-220.0	306356	3/8" In-line, Barb x Barb

## Polypropylene Ball Valves

Full port reinforced polypropylene.



8.709-222.0

8.709-228.0

- 150 PSI working pressure
- Easy turn w/ Teflon® seals
- Double seal in stem for "no leak"
- Threaded mounting bosses, brass insert on 1-1/4" - 2" sizes

Part #	Old No.	FPT
<b>Two-Way Ball Valves</b>		
8.709-222.0	306390	1/2" x 1/2"
8.709-223.0	306392	3/4" x 3/4"
8.709-224.0	306394	1" x 1"
8.709-225.0	306398	1-1/2" x 1-1/2"
8.709-226.0	306400	2" x 2"

### Three-Way Ball Valves

8.709-227.0	306408	1/2" x 1/2" x 1/2"
8.709-228.0	306412	3/4" x 3/4" x 3/4"
8.709-229.0	306416	1" x 1" x 1"
8.709-230.0	306420	1-1/4" x 1-1/4" x 1-1/4"
8.709-231.0	306422	1-1/2" x 1-1/2" x 1-1/2"
8.709-232.0	306424	2" x 2" x 2"

## Compact PVC Ball Valves



- FPT thread both ends
- 150 PSI working pressure
- Easy-turn handle
- 150°F
- EPDM seals – white body

Part #	Old No.	FPT
8.709-233.0	306444	1/4" x 1/4"
8.709-234.0	306448	1/2" x 1/2"
8.709-235.0	306450	3/4" x 3/4"
8.709-236.0	306452	1" x 1"
8.709-237.0	306454	1-1/4" x 1-1/4"
8.709-238.0	306456	1-1/2" x 1-1/2"
8.709-239.0	306460	2" x 2"

## 3-Way Ball Valve



- 400 PSI maximum pressure
- 180°F maximum temperature
- Teflon seat
- Buna seals
- Brass

Part #	Old No.	Description
8.709-207.0	306331	1/4" M x F x F

## Flow Selector Valve



3-way and 4-way lever control with brass body.

- **3-way**  
Plumb for 2 inlets and 1 outlet or 1 inlet and 2 outlets
- **4-way**  
Plumb for 3 inlets and 1 outlet or 1 inlet and 3 outlets
- 180°F rated temperature

Part #	Old No.	Description
8.710-108.0	343734	1/4" FPT 3-Way
8.710-110.0	343736	3/8" FPT 3-Way
8.710-113.0	343744	1/4" FPT 4-Way
8.710-114.0	343746	3/8" FPT 4-Way

## Flow Control Metering Valve



- Forged-brass, nickel-plated body
- Panel mtg in 17/32" hole
- Compact size
- Double-stem seal
- 300 PSI
- 175°F rated temperature

Part #	Old No.	Description
8.710-775.0	371125	1/4", FPT In/out
8.710-776.0	371133	3/8", FPT In/out

## Flow Control Metering Valve

The valve that "seals" (will not suck air).



- 3500 PSI to 28" vacuum — no leak
- Viton gland seal isolates metering threads from solution
- Stainless-steel needle/brass seat
- 1/4" FPT ports
- Heavy-duty brass bar stock body
- 195°F rated temperature
- Panel mounts 5/8" hole
- Large easy-grip four-lobe handwheel
- Aluminum or poly available

Part #	Old No.	Description
8.904-362.0	371120X	Metering Valve / Alum Knob
8.904-361.0	371120P	Metering Valve / Poly Knob
8.740-083.0	077003A	Replacement Knob

## Brass Metering Valve



- Easy-grip, fluted plastic handle with pointer
- Brass body, Viton gland seal eliminates air leaks
- Panel mount 11/16" or 3/4" hole
- Extremely compact T-style
- 1/4 inlet/outlet
- 450 PSI
- 170°F

Part #	Old No.	Description
8.710-773.0	371115	"T" 1/4" F x F – Forged
8.710-774.0	371116	"L" 1/4" M x M – Machined
9.802-188.0		"L" 1/4" M x M



## Chemical Metering Valves



9.802-187.0

- Adjusts from off to full flow
- 4000 PSI
- 1/4" FPT inlet – outlet
- 6 GPM
- 9.802-187.0 has presettable limiting orifice

Part #	Old No.	Description
8.710-771.0	727628	Flow Control
9.802-187.0	2-30151	Flow Control w/ Locking Adjustment
9.802-532.0		Valve, Less Solenoid

## Chemical Metering / On-Off Valve



- Dual-knob control — calibrate chemical flow w/ base knob. Outside knob allows on/off control without changing calibration
- Single 1/2" hole panel mounting
- Brass and stainless-steel materials

Part #	Old No.	Description
8.710-770.0	371100	MV-100

## ST-66 Chemical Meter and Selection Valve



- Two input barbs — for different chemicals to single outlet barb
- Double-metering dial with center OFF
- Panel mount in single 5/8" hole

Part #	Old No.	Description
8.710-779.0	371166	ST-66

## Steam Valve

For "combo" hot pressure washer/steamer units. The single-turn on/off diverter valve bypasses pump flow to reduce water flow to the coil, creating steam in place of normal hot water.



- Panel mount in 11/16" or 3/4" hole
- Machined-brass body
- Easy-grip plastic knob
- 3600 PSI
- 175°F
- 1/4" MPT inlet/outlet

Part #	Old No.	Orifice (mm)
8.711-263.0	400008	0.8
8.904-406.0	400012	1.2
8.904-407.0	400015	1.5
8.904-408.0	400018	1.8
8.904-409.0	400020	2.0

## Thermal Relief Valves

A MUST for any pump that might ever be left in bypass mode (unloading) for more than 15 seconds. Protects the pump from overheating caused by recirculating water.



- Installs in bypass line
- Automotive style wax element
- Automatically resets at cool down to 115°+ F
- No adjustment required
- 1/8" FPT side discharge
- 125 PSI inlet pressure
- 2.5 GPM flow

Part #	Old No.	Inlet	"Trip" Temp
8.904-564.0	458000	1/4" MPT	140°F
8.904-565.0	458001	3/8" MPT	140°F
8.904-566.0	458005	1/2" MPT	140°F
8.723-943.0	458007	1/2" MPT	165°F

## Compact Thermal Relief Valves



- 145°F or 190°F "Trip" temperature

Part #	Old No.	Size	"Trip" Temp
8.712-544.0	458024	1/4" MPT	145°F
8.712-545.0	458026	3/8" MPT	145°F
9.802-181.0	921421	3/8" MPT	145°F
9.804-025.0		1/4" MPT	145°F
8.707-250.0		3/8" MPT	190°F
9.803-670.0		1/2" MPT	190°F

## TRV Thermal Relief Valves



- Low profile
- Brass body
- Plastic-covered barb
- 7mm hose barb
- 145 PSI
- Opens at 145°

Part #	Old No.	Inlet
8.712-547.0	458032	3/8"
8.712-548.0	458034	1/2"

## Flow Meters

The answer to precision calibration and efficient operation of pressure washing systems.



- Flow scale measures gallons per hour (GPH)
- 100 PSI
- 150°F
- 1/8" FPT inlet and outlet port
- Wetted parts are brass or stainless-steel, with or without metering valves
- Accurate within ±5%
- Precision-cut and machined-clear acrylic
- Metal mounting inserts for ease of installation (10-32 threads)
- Compact size — 2" tall scale, 4-3/32" overall height

Part #	Old No.	GPH	Metal	Metering Valve
8.710-097.0	343722	.6-5	Brass	No
8.710-098.0	343723	.6-5	Brass	Yes
8.710-101.0	343726	2-10	Brass	No
8.710-102.0	343727	2-10	Brass	Yes
8.710-099.0	343724	.6-5	Stainless-Steel	No
8.710-100.0	343725	.6-5	Stainless-Steel	Yes
8.710-104.0	343728	2-10	Stainless-Steel	No
8.710-105.0	343729	2-10	Stainless-Steel	Yes

NOTE: All flow measurements must be on low-pressure side of pump.

## Rupture Disks



- Prevents dangerous thermal expansion of water in the coil
- Ensures operator safety

Part #	Old No.	Description
9.802-192.0	2-3409	Assembly, 7000 PSI
8.707-381.0		Assembly, 8500 PSI

## Safety Pressure Relief Valves



- Prevents pressure overloads, protecting people and equipment
- Machined brass
- Automatically resets

Part #	Old No.	Max PSI	Size
8.722-192.0	G022550A	1200 (Silver Spring)	1/4"
8.722-193.0	G022560A	2400 (Red Spring)	1/4"
8.722-194.0	G022565A	3600 (Orange Spring)	1/4"
8.722-190.0	G022532A	3600 (Orange Spring)	3/8"
9.802-191.0	G022533A	5000 (Blue Spring)	3/8"

## Air Valve – Coil Blow Out

Install in-line in front of coil and use air pressure to blow water out of coil to prevent "freeze-up".



- Threaded connection
- 1/8" model is stainless-steel
- 1/4" brass valve
- Valve cap included

Part #	Old No.	Description
8.705-047.0	140073	1/8" Stainless-steel Connect
8.705-048.0	140075	1/4" Connect
8.902-426.0		Valve Assy, Water Blow-Out
8.707-314.0		Valve Assy, Water Tank Blow-Out

## Easy-Start Valve



- 1/8" FPT outlet
- Machined-brass housing
- Hose barb outlet
- Stainless-steel internal
- 200°F
- 8 GPM

Part #	Old No.	Description
9.804-065.0		Easy-Start Valve, 1/4" MPT, 5000 PSI
9.802-190.0		Easy-Start Valve, 3/8" MPT, 5000 PSI
8.709-865.0	339004	Easy-Start Valve, 3/8" MPT, 4100 PSI
8.709-866.0	339005	Easy-Start Valve, 3/8" MPT, 3500 PSI
8.751-265.0		Valve, 5/16" HB Outlet, 5000 PSI \$1.00
9.802-137.0	140352	Hose Barb, 1/8" x 1/4" barb

## Easy-Start Valve



- 3/8" MPT inlet
- Hose barb outlet (8 mm)
- Machined-brass body
- Stainless-steel spring and ball
- 3200 PSI
- 176°F
- 7.8 GPM

Part #	Old No.	Description
8.709-867.0	339006	Easy-Start Valve

## Steel Utility Gauges



- Black lacquered steel case
- Bronze bourdon tube
- Dry gauge
- 1/4" NPT brass mounting stem
- Accuracy ± 3-2-3%

Part #	Old No.	Pressure Range
<b>2" bottom mount</b>		
8.710-307.0	348552	0-60 PSI
8.710-308.0	348554	0-100 PSI
8.710-309.0	348558	0-200 PSI
8.710-310.0	348560	0-300 PSI

## Fuel Oil Pressure Gauge



- 0-200 PSI
- Perfect for testing burner pump fuel pressure

Part #	Old No.	Pressure Range
8.700-738.0	079020	0-200 PSI

## Corrosion-Resistant ABS Gauge



- Acid and alkali proof plastic case
- Bronze bourdon tube
- 1/4" NPT brass mounting stem
- Accuracy – Dry: ±3-2-3%  
Filled: ±1.5%

Part #	Old No.	Pressure Range
8.710-291.0	348305	0-100 PSI
8.710-293.0	348307	0-200 PSI
8.710-294.0	348308	0-300 PSI
8.710-295.0	348312	0-1000 PSI
8.710-296.0	348313	0-2000 PSI
8.710-297.0	348314	0-3000 PSI
8.710-299.0	348316	0-5000 PSI

## Pressure Gauges



- 5000 PSI cold water
- 1-3/4" gauge
- 3/8" QC socket
- 3/8" QC plug

Part #	Description
8.712-208.0	Pressure Gauge Kit



## Stainless-Steel Pressure Gauges



- AISI 304 stainless-steel case
- Bronze bourdon tube
- 99.5% pure glycerin filled
- PSI and bar dual scale
- 1/4" NPT brass mounting stem
- Convex magnifying lens for easy reading
- Steel needle and peg
- Accuracy  $\pm 1.5\%$

Part #	Old No.	Pressure Range
<b>2-1/2" Bottom Mount with Bronze Internals</b>		
8.710-270.0	348216	0-100 PSI
8.710-272.0	348220	0-200 PSI
8.710-273.0	348224	0-300 PSI
8.710-276.0	348230	0-500 PSI
8.710-278.0	348240	0-1000 PSI
8.710-280.0	348245	0-2000 PSI
8.710-281.0	348250	0-3000 PSI
8.710-283.0	348255	0-4000 PSI
9.804-017.0	348260	0-5000 PSI
8.710-286.0	348262	0-6000 PSI
9.804-001.0	348265	0-10,000 PSI
<b>2-1/2" Back Mount with Bronze Internals</b>		
8.710-246.0	348125	30Hg - 0 Vacuum
8.710-250.0	348140	0-100 PSI
8.710-254.0	348150	0-500 PSI
8.710-256.0	348152	0-1000 PSI
8.710-257.0	348154	0-2000 PSI
8.710-258.0	348156	0-3000 PSI
8.710-259.0	348158	0-4000 PSI
8.712-149.0		0-5000 PSI
8.712-150.0		0-6000 PSI
8.710-262.0	348162	0-6000 PSI
9.804-013.0	348165	0-10,000 PSI
<b>Mounting Hardware for Back Mount Gauges</b>		
8.710-223.0	348001	U-bracket
8.710-228.0	348090	3-hole flange, mounted

## Pressure and Temperature Test Set



Convenient test set provides both pressure and temperature check with one easy quick coupled connection at outlet of unloader or coil.



- **Test Set 5000**  
500°F thermometer  
5000 PSI pressure gauge  
for systems up to 2000 PSI
- **Test Set 10,000**  
10,000 PSI pressure gauge  
for systems up to 5000 PSI

Part #	Old No.	Description
8.904-559.0	449045	Test Set 5000 (0-2500 PSI systems)
8.904-558.0	449040	Test Set 10,000 (0-5000 PSI systems)

## Speedmaster Throttle Control



Stop overworking the engine and pump during bypass. Decelerator reduces engine speed when pump head pressure drops below 215 PSI, reduces flow during bypass, slows recirculation heat build-up.



- 3500 PSI
- 300°F
- A major system saver for gas engine units
- Machined-brass body
- Stainless-steel gland components
- 1/4" male connect
- Viton seals
- 42" lined and covered control cable
- Engine speeds infinitely adjustable for "fine tuned" system performance

Part #	Old No.	Description
8.903-840.0	339000A	Throttle Control

## Temperature Gauges



Dial thermometers.



- 3" diameter dial — stainless-steel case
- Shatter-resistant polycarbonate lens
- Stainless-steel stem (2.5")
- 1/2" MPT connector
- Accuracy to within 3% of dial range (50-500 =  $\pm 6.8^\circ\text{F}$ )

Part #	Old No.	Description
8.712-488.0*	426410	Temp Gauge +50° to 500°F

\*"Thermowell" to be used with dial thermometers in systems over 300 PSI. For best results, fill thermowell with liquid silicon or glycol to increase sensitivity and accuracy of readings.

### Thermowell for temperature gauge above

- Stainless-steel 3/4" MPT x 1/2" FPT
- Gives 2000 PSI collapse protection
- 1.75" immersion length

Part #	Old No.	Description
8.712-489.0	426423	Thermowell for 8.712-488.0

## AMP and Voltmeters



- Designed for OEM or replacement
- Accuracy to  $\pm 5\%$
- Metal case
- Rugged and weather-resistant
- Bright stainless bezel
- Utilize as constant monitor or as test instruments
- Fits 2-1/16" mounting hole

Part #	Old No.	Description
8.701-686.0	091321	-15 to +15 Amps
8.701-687.0	091323	-20 to +20 Amps
8.701-688.0	091344	-60 to +60 Amps
8.712-159.0		Voltmeter 120V

## Hour Meters for Gasoline Engines



- Elapsed time
- No battery required
- Digital quartz accuracy ( $\pm .02\%$ )
- Extremely rugged and tamperproof
- Sealed from dirt and moisture
- Requires 2" panel cutout

Part #	Description
8.749-183.0	EL 5-80V AC/DC 50/60 Hz
8.749-316.0	EL 24-277 AC/DC 50/60 Hz
9.802-283.0	115/240V AC — Rectangle
8.904-540.0	Tach/Hour 12V DC w/ Magnet Tool